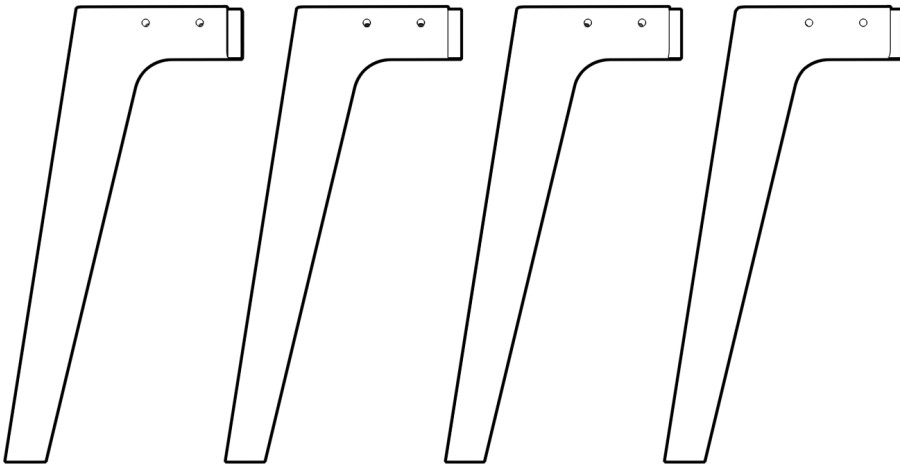
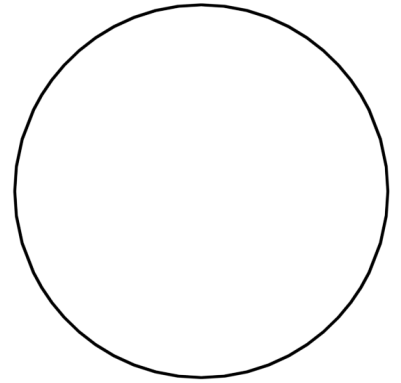


BURNHAM STOOL - QUAD BASE

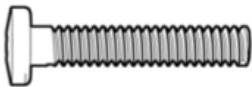
You should have...



4x Legs



Seat Cushion
(Shape may differ)



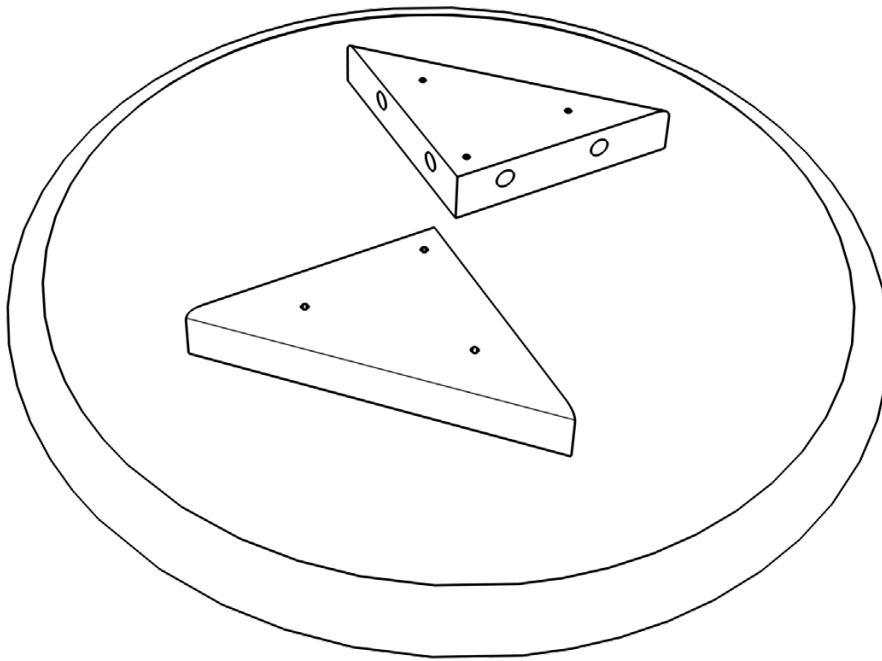
8x Bolts



Allen Key

Note: Please retain all boxes until you are certain that your product isn't damaged and that you do not wish to return it. Disposal of boxes may prevent/delay our ability to resolve your request.

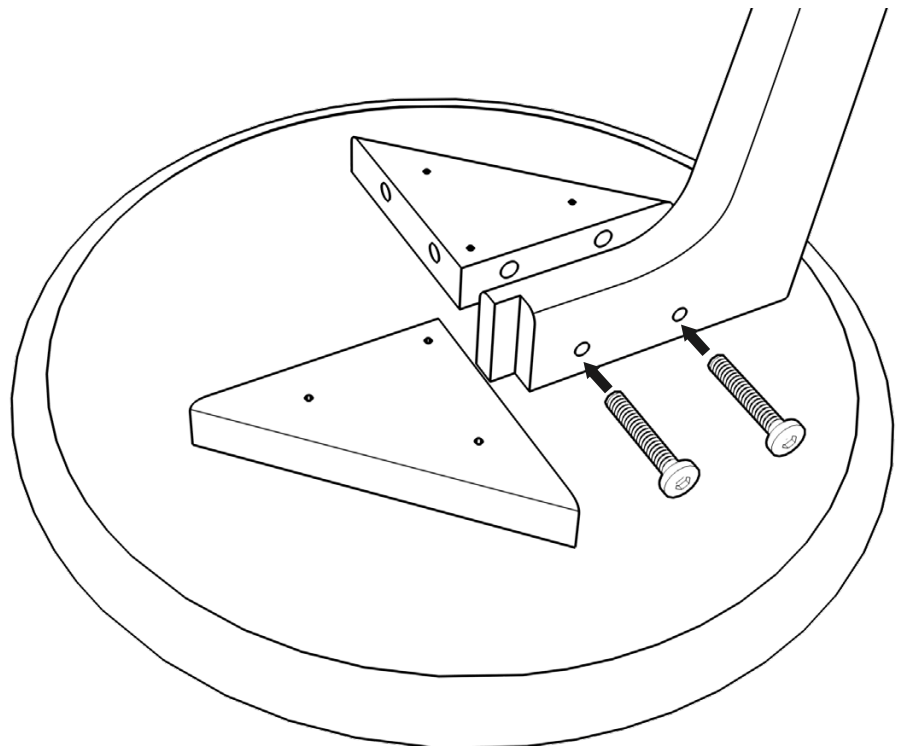
Step 1: Attach the First Leg



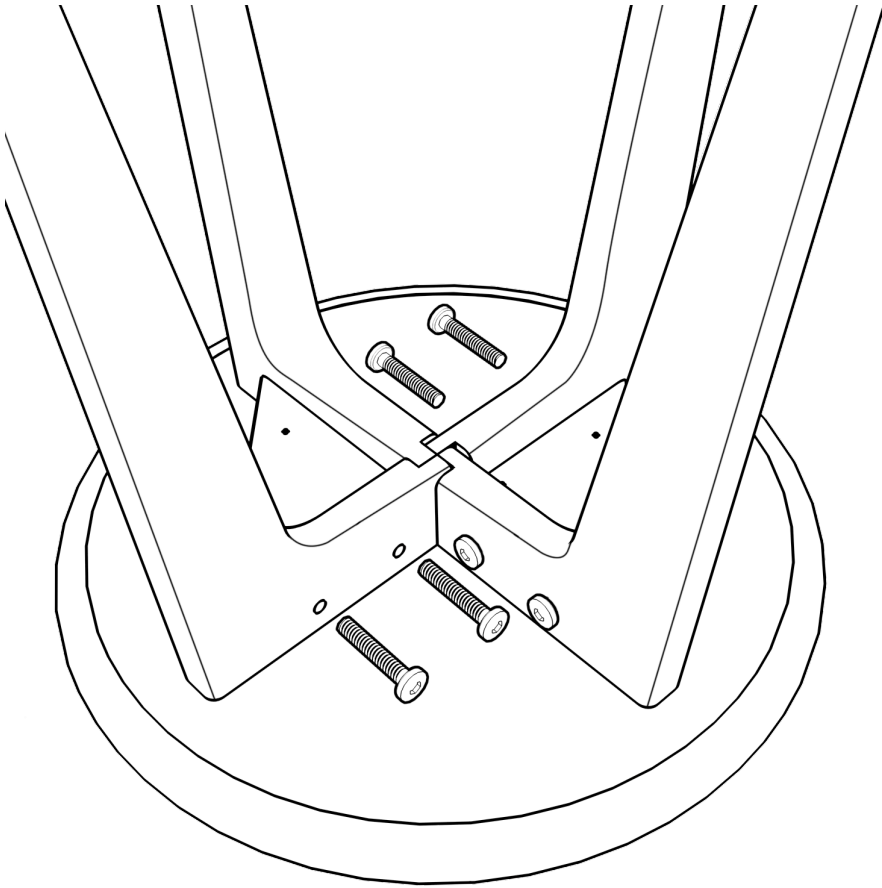
Place the seat down with the wooden connectors facing up.

Line up the corresponding holes in the legs with those on the seat.

Use a bolt in each hole. Tighten with the hex key.

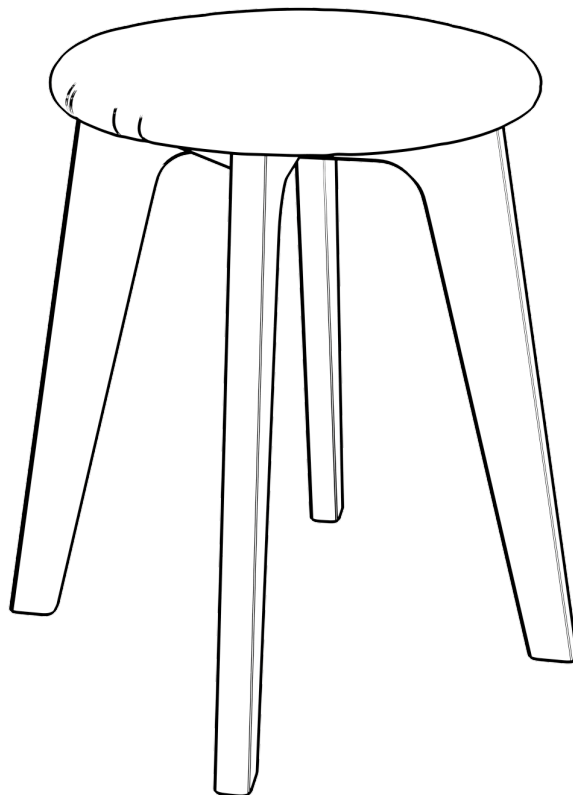


Step 2: Attach the Other Legs



Repeat the previous step with the remaining legs.

Flip the stool upright. That's It!



DONE!